

# Oceanographic Swivels



## A better Oceanographic Swivel

- Full Ocean Depth Rating
- Two Ton Safe Working Load (4000 lbs or 1800 kg)
- Dual ball bearings
- Oil Filled
- Pressure compensated
- Stainless 316 Construction
- Load Test Certificate Provided



### OPEN SEAS INSTRUMENTATION INC

124 W. Petpeswick Rd, Musquodoboit Harbour  
NS Canada B0J 2L0

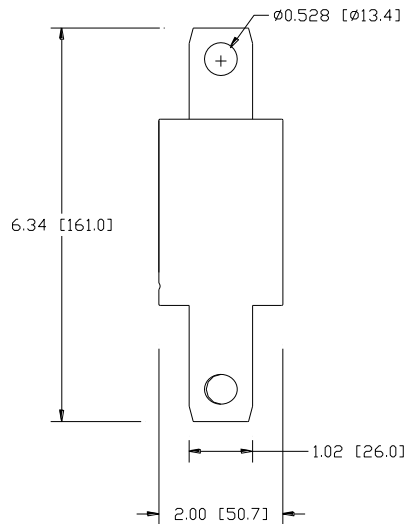
Tel: +1 (902) 889-3339 Email: [openseas@openseas.com](mailto:openseas@openseas.com) Fax: +1 (902) 889-3313  
[www.openseas.com](http://www.openseas.com)

---

# OCEANOGRAPHIC SWIVELS

## Physical Dimensions

### Model SW-020-050



Weight in Air	2.8 lbs
Weight SW	2.0 lbs
Safe Working Load	5:1

Rev 02/2010

Distributor:



DC SERVICIOS AMBIENTALES, SL  
C/ Emilio Calzadilla,5. 2-A. 38002  
Santa Cruz de Tenerife, España.  
Tlf: (+34) 822 600 026  
Mail: [info@dcserviciosambientales.es](mailto:info@dcserviciosambientales.es)  
Web: [www.dcserviciosambientales.es](http://www.dcserviciosambientales.es)